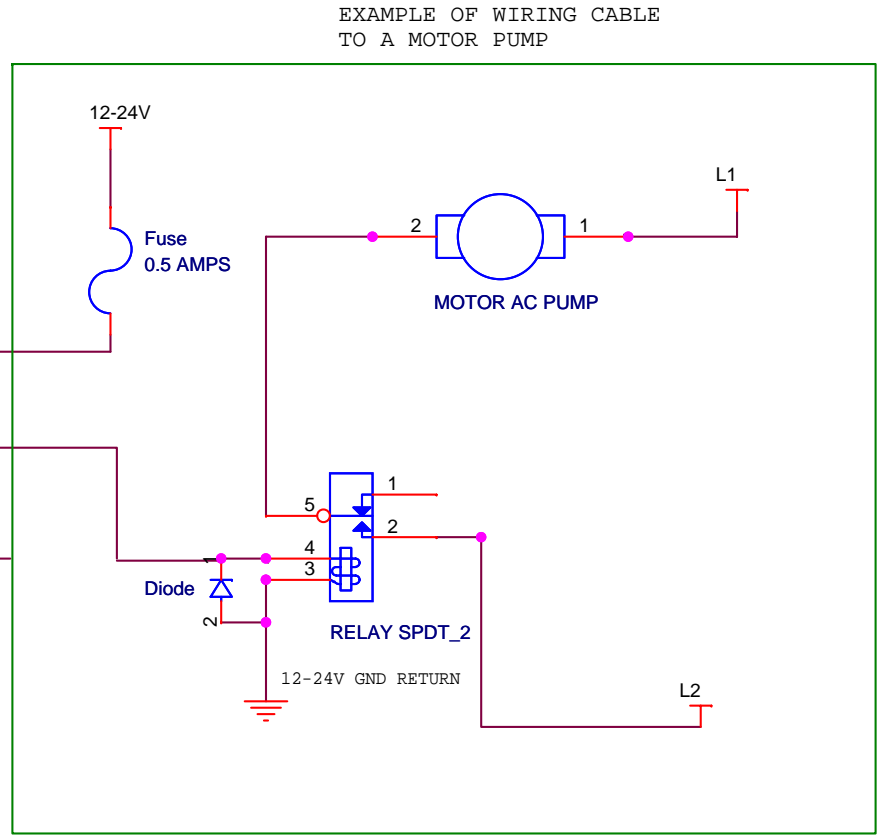
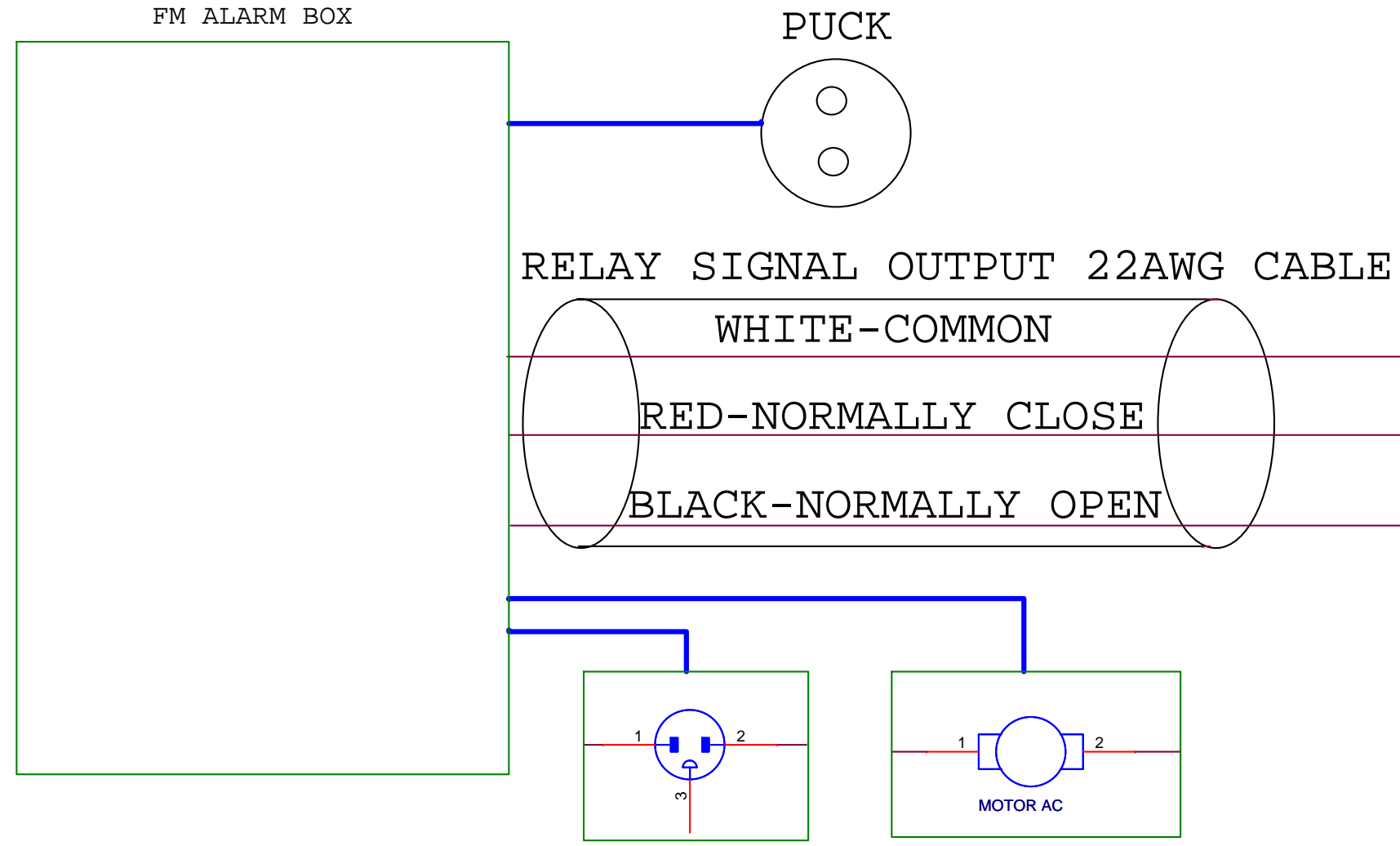


| REVISION HISTORY | | |
|------------------|---------------------------------|--------|
| REV | DESCRIPTION | DATE |
| A | ECN 5274 Released To Production | 8/4/10 |



- NOTES: Specifications for relay output
1. Relay voltage 12 to 24 volts from customer.
 2. Continuous current 0.25 AMPS.
 3. Fuse 0.5 AMPS.
 4. Use diode for transient voltage suppression across customer relay coil.

| PROPRIETARY INFORMATION | UNLESS OTHERWISE SPECIFIED | SIGNATURES | DATES | FloodMaster, LLC 27 Business Park Drive, Branford, CT. 06405 | | |
|--|----------------------------|------------|--------|--|--------------------------|------------------|
| THE INFORMATION CONTAINED IN THIS DOCUMENT IS THE PROPERTY OF FLOOD MASTER COMPANY. IT IS SUBJECT TO RETURN UPON DEMAND AND MAY NOT BE REPRODUCED OR OTHERWISE DISCLOSED WITHOUT WRITTEN PERMISSION FROM FLOOD MASTER COMPANY. | DIMENSIONS ARE IN INCHES | OM | 8/4/10 | <Title> FloodMaster Optional Control Connection-Hardware | | |
| | | | | | | |
| | | | | Size B | CAGE Code <Cage Code> | DWG NO FM4510 |
| | | | | Scale NONE | Sheet 1 | |
| | | | | | | |